

NORBAR TORQUE TOOLS HANDTORQUE™ MULTIPLIER AND TORQUE WRENCH KITS



For convenience, it is now possible to purchase a torque multiplier from the “Compact Series” packaged with the appropriate torque wrench. This allows the operator to arrive at the bolting application with everything needed in one robust carry case. Space has been allowed in the carry case for accessories such as sockets.

The torque wrench and torque multiplier are each supplied with their own calibration certificate allowing accurate calculation of input torque to the multiplier for critical applications.

HANDTORQUE™ KITS

Handtorque™ Kit	Handtorque™ Supplied			Torque Wrench Supplied	Kit Length	Kit Width	Kit Depth	Kit Weight
	Model	Ratio	Output Square					
18184 AWUR	HT-52	22:1	3/4"	TTi45 (lbf-ft only)	360 mm	228 mm	135 mm	5.4 kg
18185 AWUR	HT-52	22:1	3/4"	TTi60 (N-m only)	360 mm	228 mm	135 mm	5.4 kg
18186 AWUR	HT-52	22:1	3/4"	TTi60 (Dual Scale)	360 mm	228 mm	135 mm	5.4 kg
18187 AWUR	HT-52	22:1	1"	TTi45 (lbf-ft only)	360 mm	228 mm	135 mm	5.5 kg
18188 AWUR	HT-52	22:1	1"	TTi60 (N-m only)	360 mm	228 mm	135 mm	5.5 kg
18189 AWUR	HT-52	22:1	1"	TTi60 (Dual Scale)	360 mm	228 mm	135 mm	7.7 kg
18190 AWUR	HT-72	27:1	1"	TTi75 (lbf-ft only)	459 mm	319 mm	160 mm	7.7 kg
18191 AWUR	HT-72	27:1	1"	TTi100 (N-m only)	459 mm	319 mm	160 mm	7.7 kg
18192 AWUR	HT-72	27:1	1"	TTi100 (Dual Scale)	459 mm	319 mm	160 mm	7.7 kg
18193 AWUR	HT-92	25:1	1"	TTi150 (lbf-ft only)	459 mm	319 mm	160 mm	12.3 kg
18194 AWUR	HT-92	25:1	1"	TTi200 (N-m only)	459 mm	319 mm	160 mm	12.3 kg
18195 AWUR	HT-92	25:1	1"	TTi200 (Dual Scale)	459 mm	319 mm	160 mm	12.3 kg

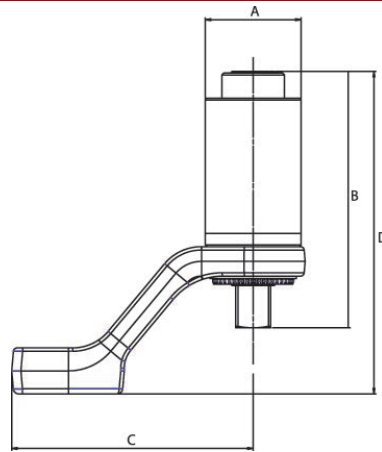
For more details on all Norbar products please contact:

NORBAR TORQUE TOOLS LTD
 Beaumont Road, Banbury,
 Oxfordshire OX16 1XJ
 UNITED KINGDOM
 Tel + 44 (0)1295 753600

www.norbar.com

NORBAR TORQUE TOOLS

HANDTORQUE™ MULTIPLIER AND TORQUE WRENCH KITS



HANDTORQUE™ MULTIPLIER

Model	Ratio	Output Square	Maximum Torque Output		Dimensions				Tool Weight	Reaction Weight	Kit
			N-m	lbf-ft	A	B	C	D			
HT-52 AWUR	22:1	3/4"	1000	740	52 mm	157 mm	131 mm	189 mm	1.4 kg	0.85 kg	18184
											18185
											18186
HT-52 AWUR	22:1	1"	1000	740	52 mm	162 mm	131 mm	189 mm	1.7 kg	0.85 kg	18187
											18188
											18189
HT-72 AWUR	27:1	1"	2000	1450	72 mm	182 mm	164 mm	226 mm	3 kg	0.66 kg	18190
											18191
											18192
HT-92 AWUR	25:1	1"	4000	2950	92 mm	220 mm	205 mm	277 mm	5.4 kg	1.35 kg	18193
											18194
											18195

TORQUE WRENCH

Model	Range		Ratchet Diameter	Length	Weight	Kit
	N-m	lbf-ft				
TTi45	-	10 - 45	38 mm	348 mm	0.9 kg	18184
TTi60	12 - 60	-	38 mm	348 mm	0.9 kg	18185
TTi60	12 - 60	10 - 45	38 mm	348 mm	0.9 kg	18186
TTi45	-	10 - 45	38 mm	348 mm	0.9 kg	18187
TTi60	12 - 60	-	38 mm	348 mm	0.9 kg	18188
TTi60	12 - 60	10 - 45	38 mm	348 mm	0.9 kg	18189
TTi75	-	15 - 75	46 mm	405 mm	1 kg	18190
TTi100	20 - 100	-	46 mm	405 mm	1 kg	18191
TTi100	20 - 100	15 - 75	46 mm	405 mm	1 kg	18192
TTi150	-	30 - 150	46 mm	505 mm	1.2 kg	18193
TTi200	40 - 200	-	46 mm	505 mm	1.2 kg	18194
TTi200	40 - 200	30 - 150	46 mm	505 mm	1.2 kg	18195

For more details on all Norbar products please contact:

NORBAR TORQUE TOOLS LTD
 Beaumont Road, Banbury,
 Oxfordshire OX16 1XJ
 UNITED KINGDOM
 Tel + 44 (0)1295 753600

www.norbar.com

NORBAR TORQUE TOOLS HANDTORQUE™ MULTIPLIER COMPACT SERIES



- Compact size allows easy access to applications
- Lightweight for torque capacity
- Supplied as standard with an aluminium reaction arm. Other options are available on request, including customised reactions
- Robust, 48 tooth Anti Windup Ratchet (AWUR) contains the forces generated during tightening for safe and easy operation
- Improvements to the HT-72 gearbox have increased the efficiency, enabling a higher nominal multiplication ratio of 27:1
- Guaranteed multiplication accuracy of $\pm 4\%$
- Each multiplier is supplied with its own unique calibration certificate allowing the accurate calculation of input torque for critical applications
- Supplied in a carry case

HT-52

Model	Ratio	Input Square	Output Square	Maximum Torque Output	Dimensions				Tool Weight	Reaction Weight
					A	B	C	D		
HT-52/4.5 (180200)	4:5:1	1/2"	3/4"	1000 N·m	52 mm	115 mm	131 mm	150 mm	1 kg	0.85 kg
HT-52/22 (180201)	22:1	3/8"	3/4"	1000 N·m	52 mm	139 mm	131 mm	175 mm	1.3 kg	0.85 kg
HT-52/22 (180202)	22:1	1/2"	3/4"	1000 N·m	52 mm	139 mm	131 mm	175 mm	1.4 kg	0.85 kg
HT-52/22 AWUR (180203)	22:1	3/8"	3/4"	1000 N·m	52 mm	153 mm	131 mm	189 mm	1.4 kg	0.85 kg
HT-52/22 AWUR (180204)	22:1	1/2"	3/4"	1000 N·m	52 mm	153 mm	131 mm	189 mm	1.4 kg	0.85 kg
HT-52/22 AWUR (180205)	22:1	3/8"	1"	1000 N·m	52 mm	158 mm	131 mm	190 mm	1.4 kg	0.85 kg
HT-52/22 AWUR (180206)	22:1	1/2"	1"	1000 N·m	52 mm	157 mm	131 mm	190 mm	1.4 kg	0.85 kg



For more details on all Norbar products please contact:

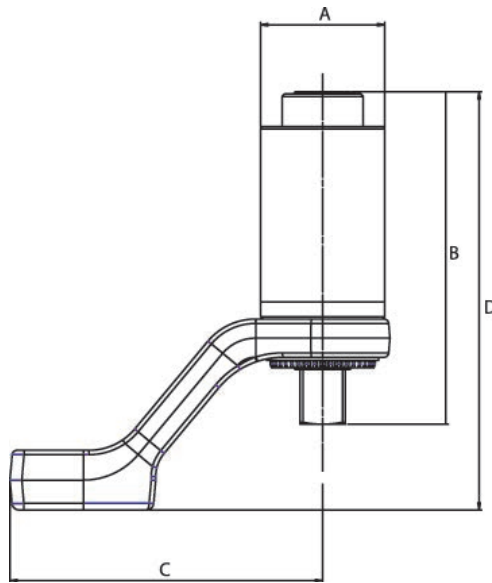
NORBAR TORQUE TOOLS LTD
 Beaumont Road, Banbury,
 Oxfordshire OX16 1XJ
 UNITED KINGDOM
 Tel + 44 (0)1295 753600

www.norbar.com

NORBAR TORQUE TOOLS

HANDTORQUE™ MULTIPLIER

COMPACT SERIES



HT-72

Model	Ratio	Input Square	Output Square	Maximum Torque Output	Dimensions				Tool Weight	Reaction Weight
					A	B	C	D		
HT-72/5 (180207)	5:1	1/2"	3/4"	1000 N-m	72 mm	144 mm	166 mm	188 mm	2.4 kg	0.66 kg
HT-72/5 (180208)	5:1	1/2"	1"	1500 N-m	72 mm	144 mm	166 mm	188 mm	2.4 kg	0.66 kg
HT-72/5 (180209)	5:1	3/4"	3/4"	1000 N-m	72 mm	163 mm	166 mm	208 mm	2.4 kg	0.66 kg
HT-72/5 (180210)	5:1	3/4"	1"	2000 N-m	72 mm	163 mm	166 mm	208 mm	2.4 kg	0.66 kg
HT-72/27 (180211)	27:1	1/2"	3/4"	1000 N-m	72 mm	165 mm	166 mm	209 mm	2.7 kg	0.66 kg
HT-72/27 (180212)	27:1	1/2"	1"	2000 N-m	72 mm	165 mm	166 mm	209 mm	2.7 kg	0.66 kg
HT-72/27 AWUR (180213)	27:1	1/2"	3/4"	1000 N-m	72 mm	182 mm	166 mm	226 mm	3 kg	0.66 kg
HT-72/27 AWUR (180214)	27:1	1/2"	1"	2000 N-m	72 mm	182 mm	166 mm	226 mm	3 kg	0.66 kg

HT-92

Model	Ratio	Input Square	Output Square	Maximum Torque Output	Dimensions				Tool Weight	Reaction Weight
					A	B	C	D		
HT-92/25 (18092)	25:1	1/2"	1"	4000 N-m	92 mm	220 mm	205 mm	277 mm	5.4 kg	1.35 kg
HT-119/25 (18091)	25:1	1/2"	1 1/2"	7000 N-m	119 mm	252 mm	199 mm	330 mm	9.3 kg	2.10 kg

For more details on all Norbar products please contact:

NORBAR TORQUE TOOLS LTD
 Beaumont Road, Banbury,
 Oxfordshire OX16 1XJ
 UNITED KINGDOM
 Tel + 44 (0)1295 753600

www.norbar.com

Handtorque™ Multipliers

What is a Torque Multiplier?

A torque multiplier is a device that increases the torque that can be applied by an operator. Because the power output can not exceed the power input, the number of output revolutions will be lower than the number of input revolutions (Torque x rpm = Power).

How Handtorque™ Torque Multipliers Work

Handtorque multipliers incorporate an 'epicyclic' or 'planetary' gear train having one or more stages. Each stage of gearing increases the torque applied by a factor of 5, allowing Norbar to offer multipliers typically in ratios of 5:1, 25:1 and 125:1.

In the planetary gear system, torque is applied to the input gear or 'sun' gear. Three or four planet gears whose teeth are engaged with the sun gear therefore rotate. The outside casing of the multiplier, or 'annulus' is also engaged with the planet gear teeth, and would normally rotate in the opposite direction to the sun gear. A reaction arm prevents the annulus from rotating, and this causes the planet gears to orbit around the sun. The planet gears are held in a 'planetary' carrier which also holds the output square drive. Therefore as the planet gears orbit around the sun gear, the carrier and so the square drive turns.

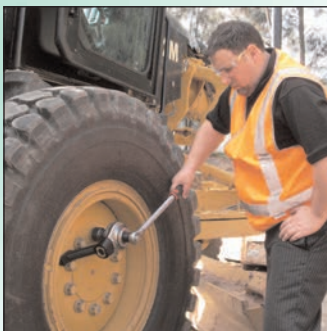
Without the reaction arm to keep the annulus stationary, the output square will not apply torque.

Why use a Handtorque™ Torque Multiplier?

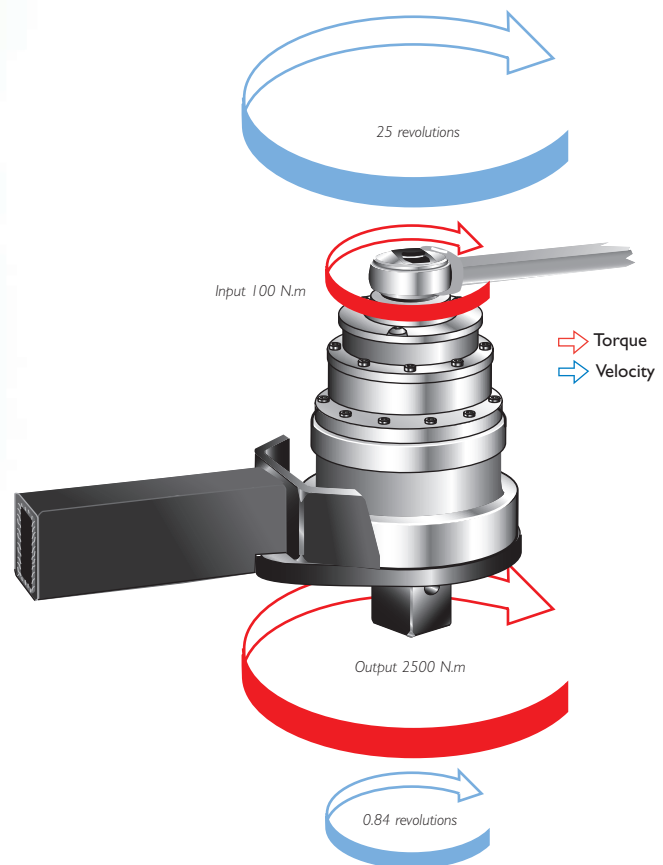
- **Safety** – use of long levers can be dangerous. Torque multipliers mean a reduction in the lever length or operator effort by a factor of 5, 25 or 125.
- **Space limitation** – the use of a long lever may be impossible due to the available space.
- **Accuracy** – torque will be applied most accurately when it is applied smoothly and slowly. Torque multipliers enable this by removing much of the physical effort from the tightening task.



Without a torque multiplier



With a torque multiplier



Advantages of the Norbar Handtorque™ System

Norbar gearboxes are built to an extremely high standard of precision. All gears rotate on needle roller bearings about hardened and ground journal pins. As a result, Norbar Handtorques can be relied upon to have a torque multiplication accuracy of $\pm 4\%$, throughout the operating range, taking the uncertainty out of high torque tightening.

No gearbox is 100% efficient and so the velocity ratio (the number of turns that the input has to make to achieve one revolution of the output) is not the same as the torque multiplication ratio. Norbar multipliers are engineered such that each gear stage has a velocity ratio of typically 5.45:1 which results in a true torque multiplication factor of 5:1.

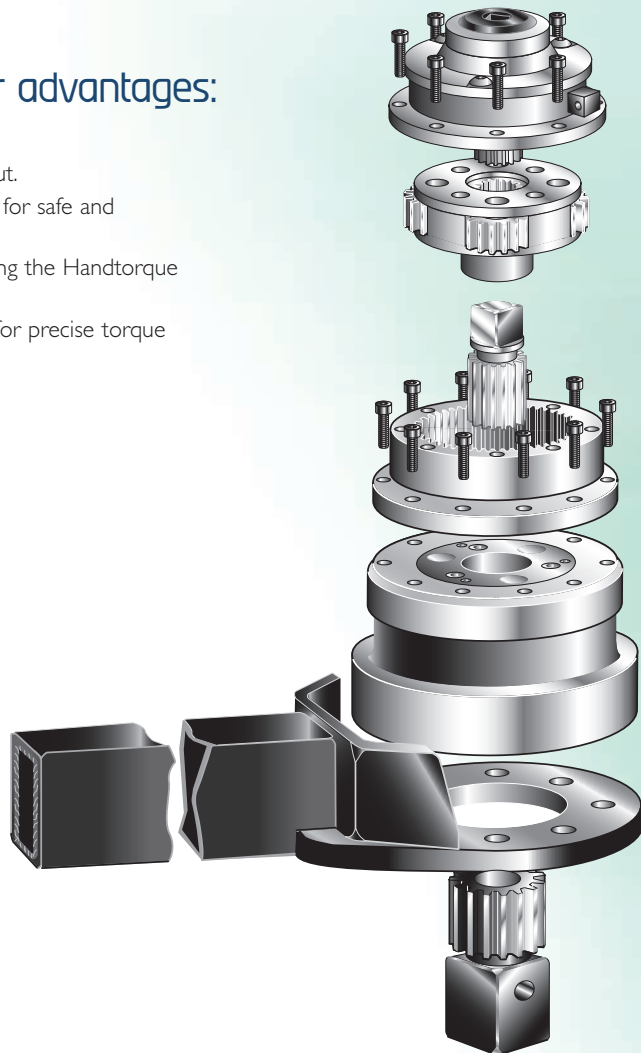
Torque output calculations are therefore a matter of simple arithmetic with little risk of incorrect bolt loading due to conversion errors. Other manufacturer's multipliers often require graphs or formulae to calculate the input torque to achieve a particular output.

The Norbar Handtorque is the most comprehensive multiplier range available. Standard products are available up to 47,500 N.m (35,000 lbf.ft) and 'specials' to 300,000 N.m (220,000 lbf.ft). A range of 'nose extensions' for reaching difficult to access bolts and a full range of torque transducers for highly accurate torque monitoring are available.



Summary of Norbar torque multiplier advantages:

- The ratio stated is the true torque multiplication factor.
- No correction charts are needed to determine torque output.
- Strong, safe Anti Wind-Up Ratchet available on most models for safe and comfortable operation.
- A wide range of alternative reaction styles are available making the Handtorque adaptable to many applications.
- Electronic torque transducers are available on most models for precise torque control.



Norbar Anti Wind-Up Ratchet

With any high ratio gearbox (25:1 or more) a certain amount of wind-up (backlash) has to be taken up before any useful tightening work is applied to the nut.

Each time the input device is released, the wind-up will rotate it back against the direction of operation.

The Anti Wind-Up Ratchet retains all of the wind-up forces as they are created with the following benefits:

1. The torque input device can not fly backwards against the direction of operation if it is suddenly released.
2. Without an Anti Wind-Up Ratchet, it will often be necessary to continue to make 360° sweeps with the torque input device otherwise the multiplier will 'unwind'. However, obstructions will often make this impossible.
3. With an Anti Wind-Up Ratchet fitted, the multiplier becomes locked onto the nut because the reaction plate is held hard against the reaction point. This means that even used upside down, the multiplier will support it's own weight.

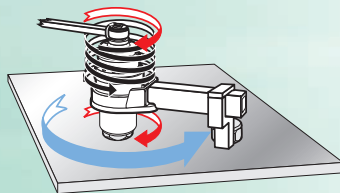
Anticlockwise



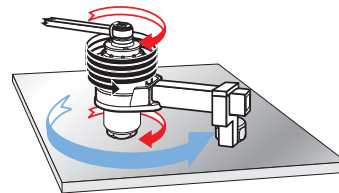
Neutral



Clockwise

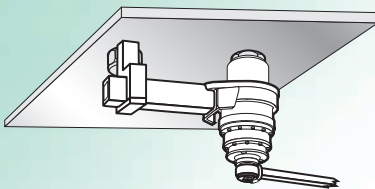


Multiplier behaves like a very stiff 'spring'

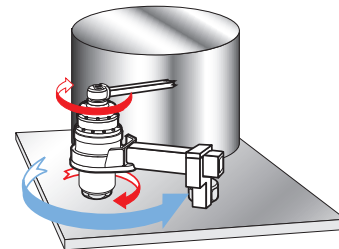


Multiplier will achieve maximum torque only after the 'spring' has been taken up

→ Torque
→ Reaction Force



In this application the Multiplier is used upside down and is able to support its own weight because the reaction plate is held hard against the reaction point



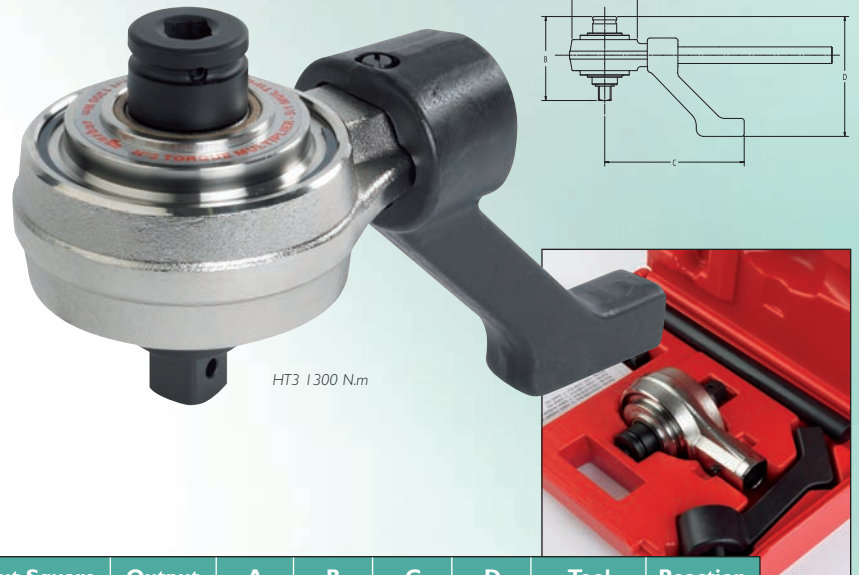
In this application, if it takes more than 180° to take up the wind-up at the required torque, this tightening operation will be impossible without an 'Anti Wind-Up Ratchet'

Safety Note:

Additional support is recommended as failure in the bolt, socket or multiplier will release the wind-up forces and cause the multiplier to drop.

HT3 Torque Multiplier

- 5:1 torque multiplication, accuracy guaranteed better than $\pm 4\%$.
- Supplied with two reaction bar styles for maximum versatility.
- Robust construction means minimal maintenance and long life.
- Supplied in a carrying case, the Highwayman is ideal for inclusion in the heavy vehicle tool kit.
- 1300 N.m version has a spare 3/4" output square included in the kit.
- Multiplier head only (no reaction bars or plastic box) also available. 1300 N.m version, part no. 17218. 2700 N.m version, part no. 17219.



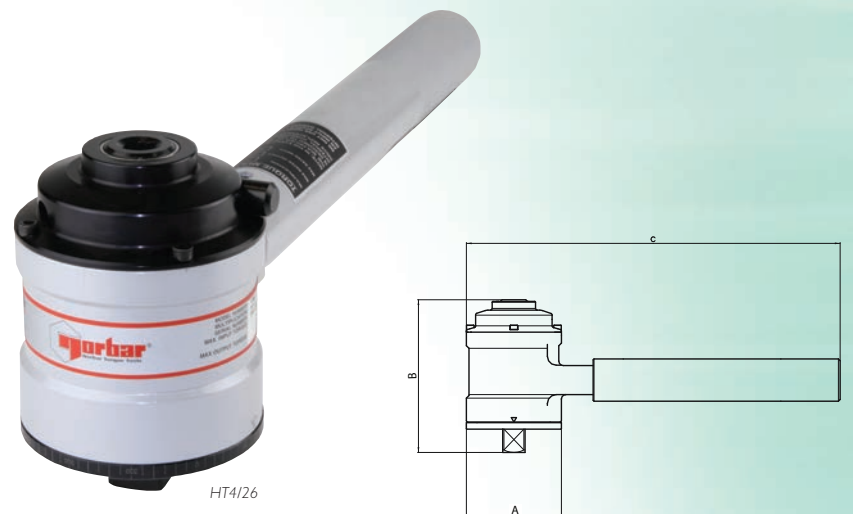
HT3 Torque Multiplier

Model	Part No.	Range		Ratio	Input Square	Output Square	A	B	C	D	Tool Weight	Reaction Weight
		N.m	lbf.ft		in	in	mm	mm	mm	mm		
HT3 1300 N.m Version Kit	17220	1300	960	5:1	1/2	3/4	108	126	210	180	3.8	1.3
HT3 2700 N.m Version Kit	17221	2700	2000	5:1	3/4	1	108	128	210	186	3.8	1.3

Weight of entire kit, 7.1kg.

HT4 Torque Multiplier

- True 15.5:1 or 26:1 torque multiplication, accuracy guaranteed better than $\pm 4\%$.
- High ratios allow the use of a small torque wrench.
- Robust construction means minimal maintenance and long life.
- Supplied in carrying case with replacement square drive.
- Anti Wind-Up Ratchet (Anti Backlash) fitted to allow safer and more practical operation.
- Angle protractor for easy torque and angle tightening.



HT4 Torque Multiplier

Model	Part No.	Range		Ratio	Input Square	Output Square	A	B	C	Tool Weight	Reaction Weight
		N.m	lbf.ft		in	in	mm	mm	mm		
HT4/15.5	17022	3000	2200	15.5:1	1/2	1	108	156	450	6.1	1.9
HT4/26	17021	4500	3300	26:1	1/2	1	108	173	450	7.0	1.9



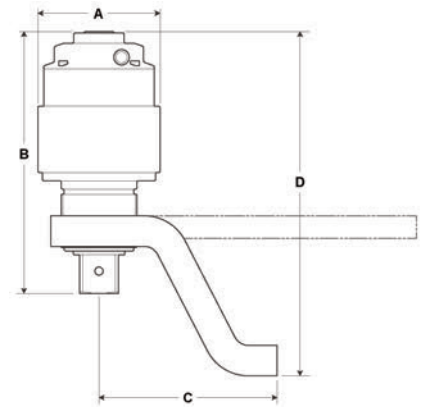
Handtorque™ Small Diameter Series

Handtorque models HT30 and 60 have all the features of the Standard Series, but have a higher torque output for a given gearbox diameter.

- Reduced diameter allows better access, particularly on pipe flanges.
- Reaction taken from high strength spline.
- Reaction foot can slide on the spline to allow for sockets of various lengths.
- Anti Wind-Up Ratchet available on all models allowing safer and more practical operation.



HT60/25



Alternative 350mm long, straight reaction plate; may be modified by customer to suit their applications.

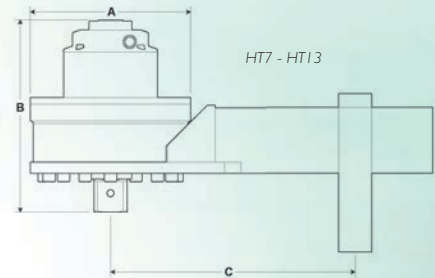
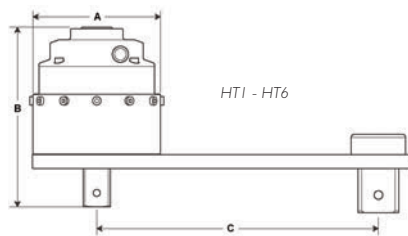
HT30 Part No. 16686
HT60 Part No. 16687

Small Diameter Series

Model	Part No.	Range		Ratio	Input Square		A	B	C	D min	D max	Tool Weight	Reaction Weight
		N.m	lbf.ft		in	in							
30/5	18003	3000	2200	5:1	¾	1	108	192	140	224.2	252.4	5.0	2
30/5 Fitted with AWUR	18002	3000	2200	5:1	¾	1	108	187	140	219.7	247.9	6.1	2
30/15	18004	3000	2200	15:1	½	1	108	210.9	140	243.2	271.4	7.0	2
30/25 Fitted with AWUR	18006	3000	2200	25:1	½	1	108	210.9	140	243.2	241.4	7.0	2
60/25	18008	6000	4400	25:1	½	1½	119	256	174	311.5	337	10.6	4
60/75 Fitted with AWUR	18010	6000	4400	75:1	½	1½	119	283.2	174	340.5	366	12.1	4
60/125 Fitted with AWUR	18012	6000	4400	125:1	½	1½	119	284.7	174	340.5	366	12.1	4

Handtorque™ Standard Series

- True torque multiplication guaranteed better than $\pm 4\%$.
- High ratios allow the use of a small torque wrench, multipliers can be used where access is limited.
- Anti Wind-Up Ratchet available on models of 25:1 ratio and above.
- Other reaction styles can be designed to suit specific applications.
- Electronic torque transducers can be fitted for precise torque monitoring. See page 83.
- Other models available up to 300,000 N.m.



Standard Series

Model	Part No.	Range		Ratio	Input Square		A	B	C		Tool Weight	Reaction Weight
		N.m	lbf.ft		in	in			min	max		
1	16010	1700	1250	5:1	½	¾	108	106	83	217	3	2.2
2/5	16012	1700	1250	5:1	¾	1	108	126	83	217	3	2.2
2/25 Fitted with AWUR	16089	1700	1250	25:1	½	1	108	141.5	83	217	5.6	2.2
5/5	16014	3400	2500	5:1	¾	1	119	142.1	86	264	4.7	2.5
5/25 Fitted with AWUR	16090	3400	2500	25:1	½	1	119	167.6	86	264	7.5	2.5
6/5	16016	3400	2500	5:1	¾	1½	119	144.7	86	264	4.7	2.5
6/25 Fitted with AWUR	16092	3400	2500	25:1	½	1½	119	172	86	264	7.5	2.5
7/5	16067	6000	4500	5:1	¾	1½	144	174.8	146	333	8.1	6.3
7/25 Fitted with AWUR	16065	6000	4500	25:1	½	1½	144	201.1	146	333	10.7	6.3
7/125 Fitted with AWUR	16068	6000	4500	125:1	½	1½	144	226	146	333	12.2	6.3
9/25 Fitted with AWUR	16070	9500	7000	25:1	¾	1½	184	200.1	171	351	17.4	8.3
9/125 Fitted with AWUR	16071	9500	7000	125:1	½	1½	184	220.1	171	351	18.9	8.3
11/25	16082	20000	14700	25:1	¾	2½	212	265.6	-	500	30.1	13.3
11/125 Fitted with AWUR	16049	20000	14700	125:1	½	2½	212	293.4	-	500	32.1	13.3
12/87.5 Fitted with AWUR	18085	34,000	25000	87.5:1	¾	2½	240	337	-	-	41.5	6.5
13/125 Fitted with AWUR	16053	47500	35000	125:1	¾	2½	315	379	-	-	95.2	6.9