

# 1/4" and 3/8" Air Impacttools™

**2115PTiMAX - 3/8"**  pin type  
**2115QTiMAX - 3/8"**  ring type



- 407 Nm (300 ft-lb).
- Only 1.13 kg and 151mm.
- Twin-hammer impact mechanism.
- Titanium hammer case and composite housing.
- 4-position power regulator.
- 1-hand forward and reverse switch.



Accessories: **2115-BOOT**  
 (CPN: 45505351), protective tool boot.

**2115XP - 3/8"**

- 370 Nm (273 ft-lb).
- Only 1.13 kg and 151 mm.
- Twin-hammer impact mechanism.
- Aluminum hammer case and composite housing.
- 4-position power regulator.
- 1-hand forward and reverse switch.



Accessories: **2115-BOOT**  
 (CPN: 45505351), protective tool boot.

**NEW**

**2102XP - 3/8"**

**2101XP - 1/4"**

- 68 Nm (50 ft-lb).
- Only 0.6 kg and 165 mm.
- Swinging-hammer impact mechanism.
- Composite housing.
- 1-hand forward and reverse switch.



**NEW**

**216B - 3/8"**

- 271 Nm (200 ft-lb).
- Only 1.27 kg.
- Ball & cam impact mechanism.
- Power regulator.



**212 - 3/8"**

- 244 Nm (180 ft-lb).
- Only 1.31 kg.
- Jumbo-hammer impact mechanism.
- 5-position power regulator.



Accessories: **212-BOOT**  
 (CPN: 45505344), protective tool boot.

**211 - 3/8"**

- 204 Nm (150 ft-lb).
- Only 1.09 kg.
- Jumbo-hammer impact mechanism.
- 5-position power regulator.



**LA158 - 3/8"**

- 136 Nm (100 ft-lb).
- Only 1.25 kg and 137 mm.
- Swinging-Hammer impact mechanism.
- Power regulator.



## Service Kits



	A	B
<b>2115PTiMAX</b>	45585189	45585932
<b>2115QTiMAX</b>	45585189	45585932
<b>2115XP</b>	45585189	45585932
<b>2015MAX</b>	47100474	47100359
<b>212</b>	03866522	—
<b>211</b>	03866449	—
<b>LA158</b>	49827108	49827090



**NEW**

**2015MAX - 3/8"**

- 244 Nm (180 ft-lb).
- Only 1.54 kg.
- Jumbo-hammer impact mechanism.
- Composite housing.
- 2-position power regulator.

*The power of an impact with the reach of a ratchet!*

## Specifications at 6.2 bar (90 psi)

	CPN	Nm	Max. Nm	1 min. rpm	1 min.	kg	L	AIR	AIR	L/s	Max. L/s	dB(A)	m/s <sup>2</sup> / K(1)
		Nm	Nm	rpm	mm	kg	mm	NPTF	mm	L/s	L/s	dB(A)	m/s <sup>2</sup> / K(1)
<b>3/8" <input type="checkbox"/></b>													
<b>2115PTiMAX</b>	45587540	34-312	407	15 000	1 500	1.13	151	1/4"	10	1.9	8.0	93.2	7.5 / 1.8
<b>2115QTiMAX</b>	45587326	34-312	407	15 000	1 500	1.13	151	1/4"	10	1.9	8.0	93.2	7.5 / 1.8
<b>2115XP</b>	45632130	34-285	370	15 000	1 500	1.13	151	1/4"	10	1.9	8.0	94.0	7.5 / 1.8
<b>216B</b>	46806600	20-217	271	8 500	1 600	1.27	196	1/4"	10	1.4	9.0	90.0	5.2 / 1.0
<b>2015MAX</b>	45533775	61-190	244	7 100	2 100	1.54	332	1/4"	10	1.6	9.0	96.6	17.4 / 3.0
<b>212</b>	01343151	27-170	244	10 000	1 500	1.31	152	1/4"	10	1.2	5.2	97.5	6.5 / 1.0
<b>211</b>	01343235	27-170	204	10 000	1 500	1.09	168	1/4"	10	1.2	5.2	104.0	5.9 / 1.6
<b>LA158</b>	49825870	7-100	136	10 000	1 400	1.25	137	1/4"	10	1.9	7.5	88.4	3.3 / 1.1
<b>2102XP</b>	16619686	34-54	68	11 000	1 250	0.63	165	1/4"	10	0.8	8.6	85.8	4.4 / 0.8
<b>1/4" <input type="checkbox"/></b>													
<b>2101XP</b>	16599466	34-54	68	11 000	1 250	0.63	165	1/4"	10	0.8	8.6	85.8	4.4 / 0.8

(1) ISO28927 – 3-axis measurement: vibration level / measurement uncertainty.

# 1/2" Air Impacttools™

- 2135QPTiMAX** - Pin-type anvil
- 2135QtiMAX** - Ring-type anvil
- 2135QTi-2MAX** - 50 mm anvil / ring



Pin type



Ring type

- 1 057 Nm (780 ft-lb).
- Only 1.84 kg.
- Twin-hammer impact mechanism.
- Titanium hammer case and composite housing.
- 1-hand forward and reverse switch.
- 4-position power regulator.

Accessories: **2135-BOOT** (CPN: 45505377), protective tool boot.



2135QtiMAX

2135QTi-2MAX

- 2125PTiMAX** - Pin-type anvil
- 2125QtiMAX** - Ring-type anvil

- 450 Nm (332 ft-lb).
- Only 1.14 kg and 155 mm.
- Twin-hammer impact mechanism.
- Titanium hammer case and composite housing.
- 1-hand forward and reverse switch.
- 4-position power regulator.

Accessories: **2115-BOOT** (CPN: 45505351), protective tool boot.



2125Qti-MAX

- 2135XP** - Ring-type anvil

- 935 Nm (690 ft-lb).
- Only 1.9 kg.
- Twin-hammer impact mechanism.
- Aluminum hammer case and composite housing.
- 1-hand forward and reverse switch.
- 4-position power regulator.

Accessories: **2135-BOOT** (CPN: 45505377), protective tool boot.



2135XP

- 2125XP** - Ring-type anvil

- 410 Nm (302 ft-lb).
- Only 1.14 kg and 155 mm.
- Twin-hammer impact mechanism.
- Aluminum hammer case and composite housing.
- 1-hand forward and reverse switch.
- 4-position power regulator.

Accessories: **2115-BOOT** (CPN: 45505351), protective tool boot.



2125XP

- 231GXP** - Ring-type anvil

- 610 Nm (450 ft-lb).
- Twin-hammer impact mechanism.
- Steel hammer case.
- 5-position power regulator.

Accessories: **231-BOOT** (CPN: 45505427), protective tool boot.



231GXP

- 236** - Ring-type anvil

- 610 Nm (450 ft-lb).
- Jumbo-hammer impact mechanism.
- Steel hammer case.
- 2-position power regulator.

Accessories: **236-BOOT** (CPN: 45528148), protective tool boot.



236

**NEW**



2130XP

2130XP-TL

- 2130XP** - Ring-type anvil

- 2130XP-TL** - Ring-type anvil / Torque limited

- 816 Nm (602 ft-lb).
- Forward torque limited (2130XP-TL): 47-75 Nm (35-55 ft-lb).
- Only 1.9 kg.
- Twin-hammer impact mechanism.
- Aluminum hammer case and composite housing.

Accessories: **2130-BOOT** (CPN: 45505369), protective tool boot.

**NEW**



*The power of an impact with the reach of a ratchet!*

- 2025MAX**

- 244 Nm (180 ft-lb).
- Only 1.54 kg.
- Jumbo-hammer impact mechanism.
- Composite housing.
- 2-position power regulator.

2135QTiMAX+SK4M3L

2135XP+SK

2231GXP-K

## 1/2" Impactool™ Kits



	CPN	Contains:
2135QTiMAX+SK4M3L	17021296	2135QTiMAX + long impact sockets, insulated, thin-wall 1/2" (17, 19 and 21 mm)
2135QTiMAX-SK	17020033	2135QTiMAX + socket set 1/2" (10, 11, 12, 13, 14, 17, 19, 21, 22, and 24 mm)
2135XP+SK4M3L	17022104	2135XP + long impact sockets, insulated, thin-wall 1/2" (17, 19 and 21 mm)
2135XP+SK	17022112	2135XP + socket set 1/2" (10, 11, 12, 13, 14, 17, 19, 21, 22, and 24 mm)
2130XP+SK4M3L	17021346	2130XP + long impact sockets, insulated, thin-wall 1/2" (17, 19 and 21 mm)
2130XP-K	16985301	2130XP + socket set 1/2" (10, 11, 12, 13, 14, 17, 19, 21, 22, and 24 mm).
231GXP-K	17000639	231GXP + socket set 1/2" (10, 11, 12, 13, 14, 17, 19, 21, 22, and 24 mm)
236-SK	17020843	236 + socket set 1/2" (10, 11, 12, 13, 14, 17, 19, 21, 22, and 24 mm)

### Specifications at 6.2 bar (90 psi)

	CPN	Nm	Nm	1 min. rpm	1 min.	kg	mm	NPTF	mm	L/s	L/s	dB(A)	m/s <sup>2</sup> / K <sup>(1)</sup>
<b>1/2" ■</b>													
2135QPTiMAX	45535572	68-746	1 057	9 800	1 250	1.84	187	1/4"	10	2.4	11.3	94.2	13.3 / 4.6
2135QTiMAX	45535598	68-746	1 057	9 800	1 250	1.84	187	1/4"	10	2.4	11.3	94.2	13.3 / 4.6
2135QTi-2MAX	45535580	68-746	1 057	9 800	1 250	2.05	241	1/4"	10	2.4	11.3	94.2	9.7 / 1.8
2135XP	45606704	68-680	935	8 900	1 250	1.90	187	1/4"	10	2.4	11.3	95.5	13.3 / 4.6
2130XP	80136112	34-474	816	9 500	1 200	1.90	187	1/4"	10	2.1	10.4	94.3	8.9 / 2.0
2130XP-TL	46812251	47-75 <sup>(2)</sup>	816	7 800	1 150	1.90	187	1/4"	10	2.1	14.2	94.4	10.0 / 1.5
231GXP	10566255	34-407	610	8 000	1 200	2.63	185	1/4"	10	2.0	10.3	91.5	6.3 / 2.1
236	80171879	34-271	610	7 400	1 200	2.40	180	1/4"	10	2.0	11.3	90.3	12.0 / 1.0
2125PTiMAX	45587565	34-340	450	15 000	1 500	1.14	155	1/4"	10	1.9	8.0	93.2	7.5 / 1.8
2125QTiMAX	45587524	34-340	450	15 000	1 500	1.14	155	1/4"	10	1.9	8.0	93.2	7.5 / 1.8
2125XP	45632999	34-310	410	15 000	1 500	1.14	155	1/4"	10	1.9	8.0	94.0	7.5 / 1.8
2025MAX	47099247	61-190	244	7 100	2 100	1.54	332	1/4"	10	1.7	9.0	96.6	17.4 / 3.0

(1) ISO28927 – 3-axis measurement: vibration level / measurement uncertainty — (2) Torque-limited.

## Service Kits



	A	B
2135QPTiMAX	45535028	80122153
2135QTiMAX	45535028	80119571
2135QTi-2MAX	45535028	80119662
2135XP	45535028	80119571
2130XP	80142375	80140528
2130XP-TL	80142375	46808392
231GXP	89936082	04682209
236	80211618	—
2125PTiMAX	45585189	45585932
2125QTiMAX	45585189	45585932
2125XP	45585189	45585932
2025MAX	47100474	47100359

## Impact Socket Sets

**SK4M18** (CPN: 81287385): 1/2" socket set. Contains 9 standard sockets (10, 11, 13, 14, 17, 19, 21, 22 and 24 mm), 4 deep sockets (13, 14, 21, and 24 mm), 3 deep / thin wall sockets (17, 19 and 21 mm), 125 mm extension bar and 1/2" square drive power joint.

**SK4M14** (CPN: 81287351): 1/2" socket set (10, 11, 12, 13, 14, 15, 16, 17, 18, 19, 21, 22, 23 and 24 mm).

**SK4M5L** (CPN: 81287369): 1/2" socket set. Contains 5 deep sockets (17, 19, 21, 22 and 24 mm)

**SK4M3L** (CPN: 81287377): 1/2" socket set. Contains 3 deep insulated, thin wall sockets (17, 19 and 21 mm).



# 3/4" Air Impacttools™



**NEW**

2145QiMAX

2145QiMAX-3

2145QiMAX-6

- 2145QiMAX** - Short anvil
- 2145QiMAX-3** - 75 mm anvil
- 2145QiMAX-6** - 150 mm anvil

- 1 830 Nm (1 350 ft-lb).
- Only 3.35 kg (2145QiMAX).
- Twin-hammer impact mechanism.
- Steel hammer case and composite housing.
- 1-hand forward and reverse switch.
- 4-position power regulator.
- Accessories: **2145M-BOOT** (CPN: 48385033), protective tool boot.

- 2161XP** - Short anvil
- 2161XP-6** - 150 mm anvil

- 1 695 Nm (1 250 ft-lb).
- Only 5.4 kg (2161XP).
- Twin-hammer impact mechanism.
- Steel hammer case.
- 3-position power regulator.

Accessories: **2161-BOOT** (CPN: 45505401), protective tool boot.

- 259** - Short anvil

- 1 424 Nm (1 050 ft-lb).
- Only 4.0 kg and 218 mm.
- Swinging-hammer impact mechanism.
- 2-position power regulator.

Accessories: **259-BOOT** (CPN: 45661899), protective tool boot.

- SK6M6L** (CPN: 81287401)

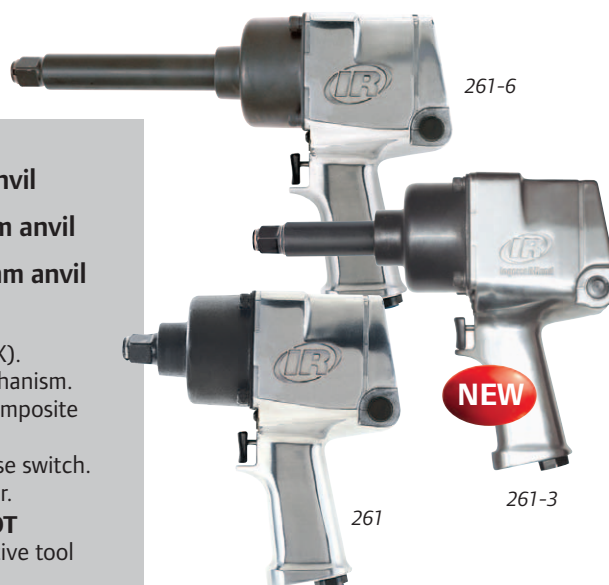
3/4" socket set. Contains 6 extended sockets (24, 27, 30, 32, 33 and 36 mm).



2161XP

2161XP-6

259



261-6

261

261-3

**NEW**

- 261** - Short anvil
- 261-3** - 75 mm anvil
- 261-6** - 150 mm anvil

- 1 491 Nm (1 100 ft-lb).
- Jumbo-hammer impact mechanism.
- Steel hammer case.
- 5-position power regulator
- Accessories: **261-BOOT** (CPN: 45505468), protective tool boot.

## Service Kits



	A	B
<b>2145QiMAX</b>	47100011	47102561
<b>2145QiMAX-3</b>	47100011	47102561
<b>2145QiMAX-6</b>	47100011	47102561
<b>2161XP</b>	04621744	-
<b>2161XP-6</b>	04621744	-
<b>261</b>	03866597	22039259
<b>261-3</b>	03866597	-
<b>261-6</b>	03866597	-
<b>259</b>	45663796	45663853

## Specifications at 6.2 bar (90 psi)

	CPN	Nm	Max. Nm	1 min. rpm	1 min.	kg	L	AIR NPTF	AIR mm	L/s	Max L/s	dB(A)	m/s <sup>2</sup> / K(1)
<b>3/4" ■</b>													
<b>2145QiMAX</b>	45624327	271-1 220	1 830	6 300	1 150	3.35	217	3/8"	13	4.0	15.1	96.3	8.7 / 2.7
<b>2145QiMAX-3</b>	47119524	271-1 220	1 830	6 300	1 150	3.79	293	3/8"	13	4.0	15.1	96.3	8.1 / 1.2
<b>2145QiMAX-6</b>	47121454	271-1 220	1 830	6 300	1 150	4.23	369	3/8"	13	4.0	15.1	96.3	8.1 / 1.2
<b>2161XP</b>	01372085	407-1 356	1 695	6 000	1 025	5.35	216	3/8"	13	4.7	21.5	94.7	9.8 / 1.8
<b>2161XP-6</b>	01372093	407-1 356	1 695	6 000	1 025	5.94	370	3/8"	13	4.7	21.5	94.7	9.8 / 1.8
<b>261</b>	01209758	271-813	1 491	5 500	1 000	5.62	224	3/8"	13	4.5	17.9	98.1	10.4 / 1.3
<b>261-3</b>	01211101	271-813	1 491	5 500	1 000	5.90	300	3/8"	13	4.5	17.9	98.1	10.4 / 1.3
<b>261-6</b>	01217199	271-813	1 491	5 500	1 000	6.21	376	3/8"	13	4.5	17.9	98.1	10.4 / 1.3
<b>259</b>	45631918	271-1 085	1 424	6 500	1 000	4.00	218	3/8"	10	3.8	14.2	91.6	6.4 / 0.8

(1) ISO28927 - 3-axis measurement: vibration level / measurement uncertainty.

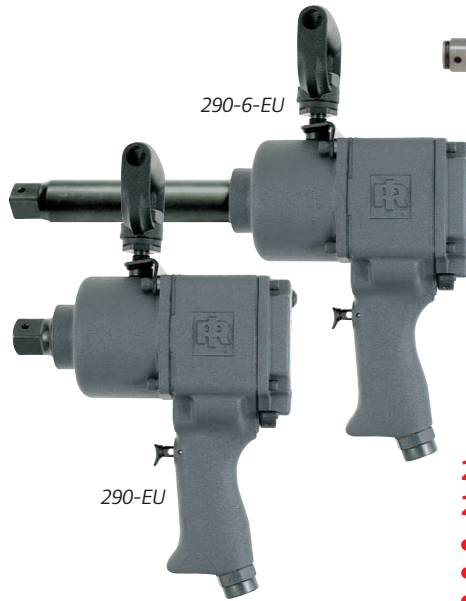
# 1" Air Impacttools™ / Pistol Handle

**NEW**

## 2155QiMAX

- 1 830 Nm (1 350 ft-lb).
- Only 3.36 kg.
- Twin-hammer impact mechanism.
- Steel hammer case and composite housing.
- 1-hand forward and reverse switch.
- 4-position power regulator.

Accessories: **2145M-BOOT** (CPN: 48385033), protective tool boot.



## 290-EU - Short anvil 290-6-EU - 150 mm anvil

- 2 169 Nm (1 600 ft-lb).
- Jumbo-hammer impact mechanism.

## 2171XP - Short anvil 2171XP-6 - 150 mm anvil

- 1 695 Nm (1 100 ft-lb).
- Only 5.47 kg (2171XP).
- Twin-hammer impact mechanism.
- Steel hammer case.
- 3-position power regulator.

Accessories: **2161-BOOT** (CPN: 45505401), protective tool boot.



## 295A - Short anvil 295A-6 - 150 mm anvil

- Designed for operation at 8.3 bar.
- 2 400 Nm (1 700 ft-lb) at 8.3 bar.
- Swinging-hammer impact mechanism.
- 3-position power regulator.

Accessories: **295-BOOT** (CPN: 45505484), protective tool boot.

## 271

- 1 491 Nm (1 100 ft-lb).
- Jumbo-hammer impact mechanism.
- Steel hammer case.
- 5-position power regulator.

Accessories: **271-BOOT** (CPN: 45505468), protective tool boot.

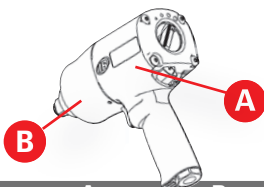


Specifications at 6.2 bar (90 psi)

1" ■	CPN	Nm	Max. Nm	1 min. rpm	1 min.	kg	L	AIR	AIR	L/s	Max L/s	dB(A)	m/s <sup>2</sup> / K <sup>(1)</sup>
		Nm	Nm	rpm	mm		mm	NPTF	mm				
290-EU	01343177	203-1 356	2 169	6 000	800	9.93	248	1/2"	19	4.7	28.3	104.6	22.7 / 2.6
290-6-EU	01343169	203-1 356	2 169	6 000	800	10.75	388	1/2"	19	4.7	28.3	104.6	15.8 / 5.2
295A	80159015	136-1 220	2 400 <sup>(2)</sup>	5 000	700	9.98	290	1/2"	13	4.7	17.5	97.0	8.6 / 1.0
295A-6	16578734	136-1 220	2 400 <sup>(2)</sup>	5 000	700	11.4	449	1/2"	13	4.7	17.5	97.0	9.1 / 2.9
2155QiMAX	47123450	271-1 220	1 830	6 300	1 150	3.36	225	3/8"	13	4.0	15.1	96.3	8.7 / 2.7
2171XP	01378165	407-1 356	1 695	6 000	1 025	5.47	226	3/8"	13	4.7	21.5	94.7	10.3 / 1.3
2171XP-6	16619801	407-1 356	1 695	6 000	1 025	6.76	360	3/8"	13	4.7	21.5	94.7	9.9 / 3.0
271	01209766	271-1 224	1 491	5 500	1 000	5.67	226	3/8"	13	4.5	17.9	98.1	13.2 / 1.1

(1) ISO28927 – 3-axis measurement: vibration level / measurement uncertainty — (2) at 8.3 bar (90 psi).

## Service Kits



	A	B
290-EU	03866613	-
290-6-EU	03866613	-
295A	16590242	-
295A-6	16590242	-
2155QiMAX	47100011	47102561
2171XP	04621744	80137698
2171XP-6	04621744	80137714
271	03866597	-

## Protective Tool Boots



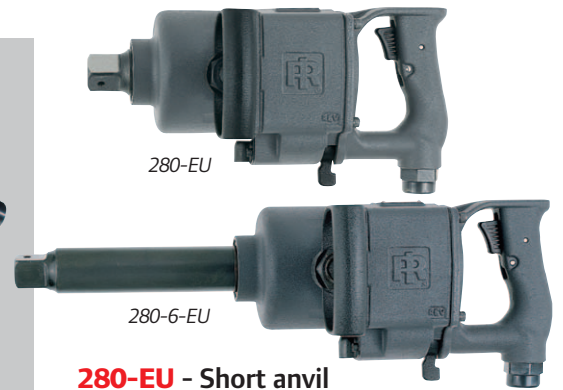
# 1" Air Impacttools™ / Rear Handle

**NEW**

## 631L – 200 mm anvil

- 4 300 Nm (3 170 ft-lb).
- Swinging-hammer impact mechanism.
- 4-position power regulator.

**4 300 Nm !**



## 280-EU - Short anvil 280-6-EU - 150 mm anvil

- 2 169 Nm (1 600 ft-lb).
- Jumbo-hammer impact mechanism.

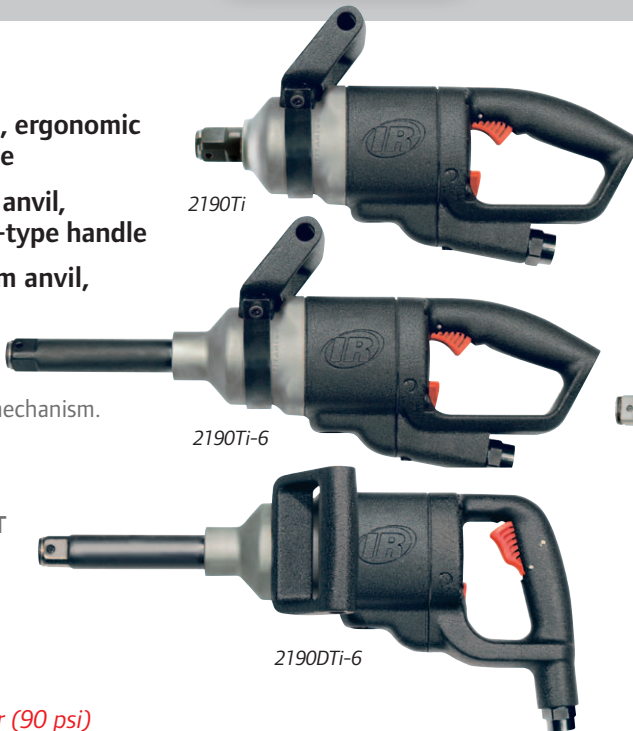
## 2190Ti - Short anvil, ergonomic chainsaw-type handle

## 2190Ti-6 - 150 mm anvil, ergonomic chainsaw-type handle

## 2190DTi-6 - 150 mm anvil, rear handle

- 2 237 Nm (1 650 ft-lb).
- Only 6.13 kg (2190Ti).
- Twin-hammer impact mechanism.
- Titanium hammer case.
- 3-position power regulator.

Accessories: **2190-BOOT** (CPN: 45505419), protective tool boot.



## 285B - Short anvil 285B-6 - 150 mm anvil

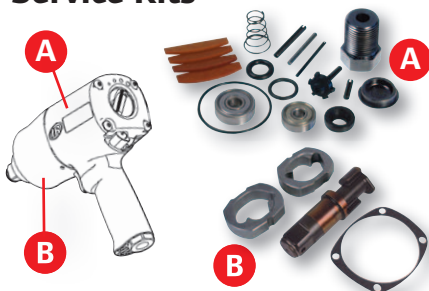
- Designed for operation at 8.3 bar.
- 2 400 Nm (1 700 ft-lb) at 8.3 bar.
- Swinging-hammer impact mechanism.
- 3-position power regulator.

Specifications at 6.2 bar (90 psi)

	CPN	Nm	Max. Nm	1 min. rpm	1 min.	kg	L	AIR	AIR	L/s	Max L/s	dB(A)	m/s <sup>2</sup> / K <sup>(1)</sup>
		Nm	Nm	rpm	mm	kg	mm	NPTF	mm	L/s	L/s	dB(A)	m/s <sup>2</sup> / K <sup>(1)</sup>
<b>1" ■</b>													
<b>631L</b>	80183171	271-3 390	4 300	3 500	700	16.6	624	1/2"	13	7.1	26.4	108.4	12.7 / 2.5
<b>2190Ti</b>	01390459	204-1 356	2 237	6 800	875	6.13	393	1/2"	13	5.6	27.4	103.8	10.4 / 1.5
<b>2190Ti-6</b>	01390467	204-1 356	2 237	6 800	875	7.04	522	1/2"	13	5.6	27.4	103.8	12.7 / 2.9
<b>2190DTi-6</b>	01390475	204-1 356	2 237	6 800	875	7.26	475	1/2"	13	5.6	27.4	103.8	8.7 / 2.1
<b>280-EU</b>	01343193	203-1 356	2 169	6 000	750	9.98	330	1/2"	13	4.7	26.0	109.1	24.1 / 3.4
<b>280-6-EU</b>	01343144	203-1 356	2 169	6 000	750	10.8	470	1/2"	13	4.7	26.0	109.1	21.8 / 3.8
<b>285B</b>	80157209	136-1 220	2 400 <sup>(2)</sup>	5 000	700	11.2	360	1/2"	13	4.7	17.5	99.8	8.0 / 1.2
<b>285B-6</b>	80157233	136-1 220	2 400 <sup>(2)</sup>	5 000	700	12.6	519	1/2"	13	4.7	17.5	99.8	9.0 / 2.7

(1) ISO28927 – 3-axis measurement: vibration level / measurement uncertainty – (2) at 8.3 bar (90 psi).

## Service Kits



	A	B
<b>631L</b>	45766789	-
<b>2190Ti</b>	80137383	80137698
<b>2190Ti-6</b>	80137383	80137714
<b>2190DTi-6</b>	80137383	80137714
<b>280-EU</b>	03866605	-
<b>280-6-EU</b>	03866605	-
<b>285B</b>	16578965	-
<b>285B-6</b>	16578965	-



**SK8M4L** (CPN: 81287419): 1" socket set. Contains 4 extended sockets (27, 30, 32 and 33 mm).